

Easy to use  
with your  
smartphone.



Download the  
smartphone  
application and easily  
control your pergola  
from a distance using  
your smartphone.



soltec | More light,  
more life.



2-year warranty on  
electronic equipment  
and components



5-year warranty  
on the structure of  
Pergola Agava™

5 year warranty,  
made in EU, fully  
certified

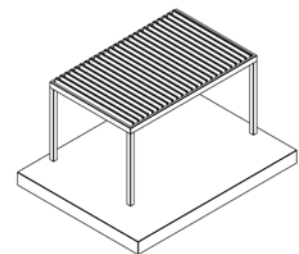
INOX  
STAINLESS  
STEEL



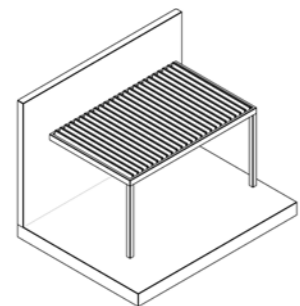
To ensure optimal quality, Pergola Agava is in accordance with the following EN standards:

- EN 1990: **Basis of Structural Design**
- EN 1991: **Actions on structures**
- EN 1991-1-1: **General actions - Densities, self-weight, imposed loads for buildings**
- EN 1991-1-3: **General actions - Snow loads**
- EN 1991-1-4: **General actions - Wind actions**
- EN 1991-1-5: **General actions - Thermal actions**
- EN 1993: **Design of steel structures**
- EN 1998: **Design of structures for earthquake resistance**
- EN 1999: **Design of aluminium structures**
- EN 1090: **Execution of steel and aluminium structures**
- EN 13561: **External blinds and awnings. Performance requirements including safety**
- EN 60335-1: **Household and similar electrical appliances - Safety - Part 1: General requirements**
- EN 60335-2-97: **Household and similar electrical appliances. Safety. Particular requirements for drives for rolling shutters, awnings, blinds and similar equipment**

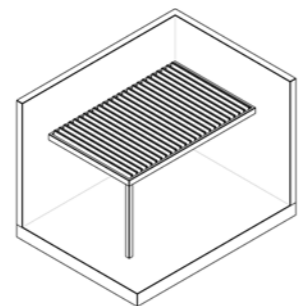
CONFIGURATIONS



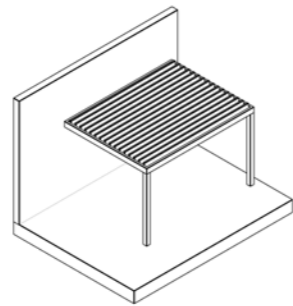
**TYPE 1**  
Self-standing



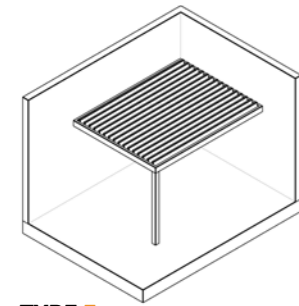
**TYPE 2**  
Wall-mounted blades  
perpendicular to wall



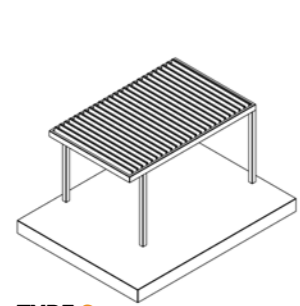
**TYPE 3**  
Wall-mounted on two sides  
blades perpendicular to wall



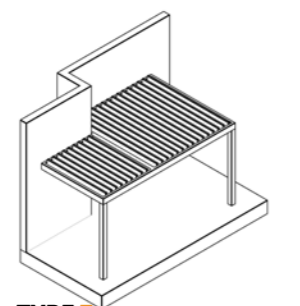
**TYPE 4**  
Wall-mounted blades  
parallel to wall



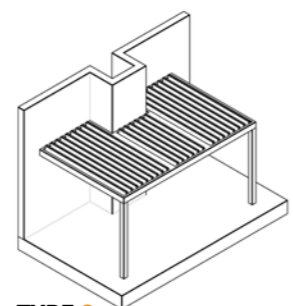
**TYPE 5**  
Wall-mounted blades  
parallel to wall



**TYPE 6**  
Self-standing  
poles off-center



**TYPE 7**  
Wall-mounted blades  
perpendicular to wall



**TYPE 8**  
Wall-mounted blades  
perpendicular to wall

COLOURS / STANDARD



Anthracite Grey  
RAL 7016



Aluminium Grey  
RAL 9006



Traffic White  
RAL 9016



DB 703

COLOURS / OPTIONAL

Customize your pergola Agava  
by selecting the color of your  
choice from more than 1600  
existing RAL colors, different  
glossy and finishing standard.

RAL 1000 > RAL 9023



soltec | More light,  
more life.

SOLTEC d.o.o.  
Obrtna ulica 9  
8257 Dobova  
Slovenia, EU

+386 7 45 22 126  
+386 51 650 850  
info@soltec.si  
www.soltec.si



**Bioclimatic Pergola**  
Agava SL

OUTDOOR LIVING

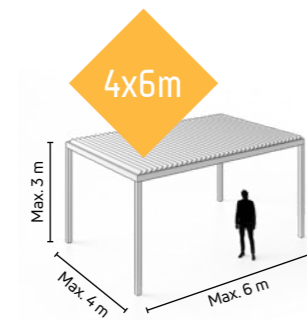


# Outdoor living comfort

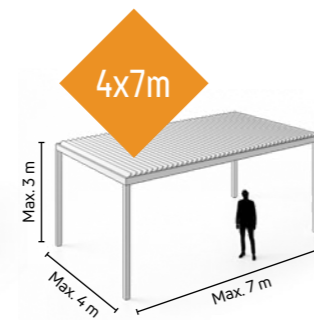


## COMFORT OF PERGOLA ACCESSORIES

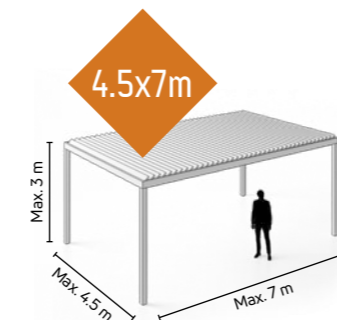
Personalize your pergola by choosing among many options integrated in the structure to optimize your comfort. Our flexible construction and diverse additional equipment enable us to adapt to different customer needs.



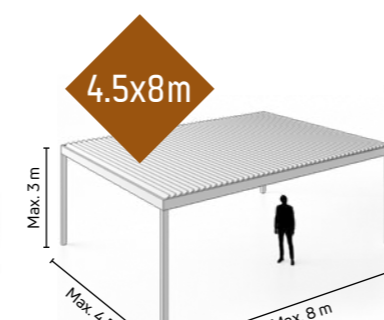
Agava SL  
160/28  
PROFILE 16  
S BLADE



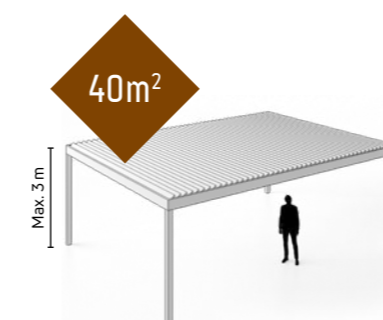
Agava SL  
170/28  
PROFILE 17  
S BLADE



Agava SL  
170/36  
PROFILE 17  
L BLADE



Agava SL  
240/36  
PROFILE 24  
L BLADE

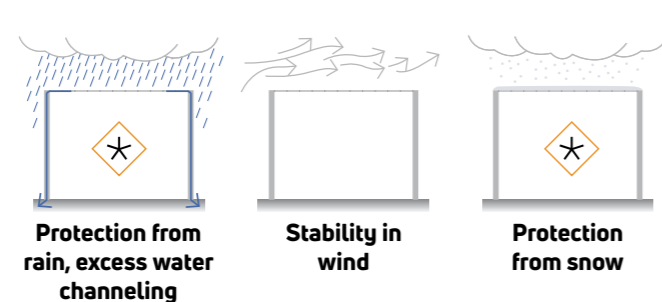
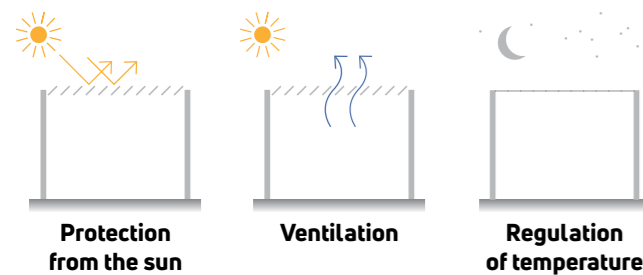


Agava SL  
240/60  
PROFILE 24  
XL BLADE

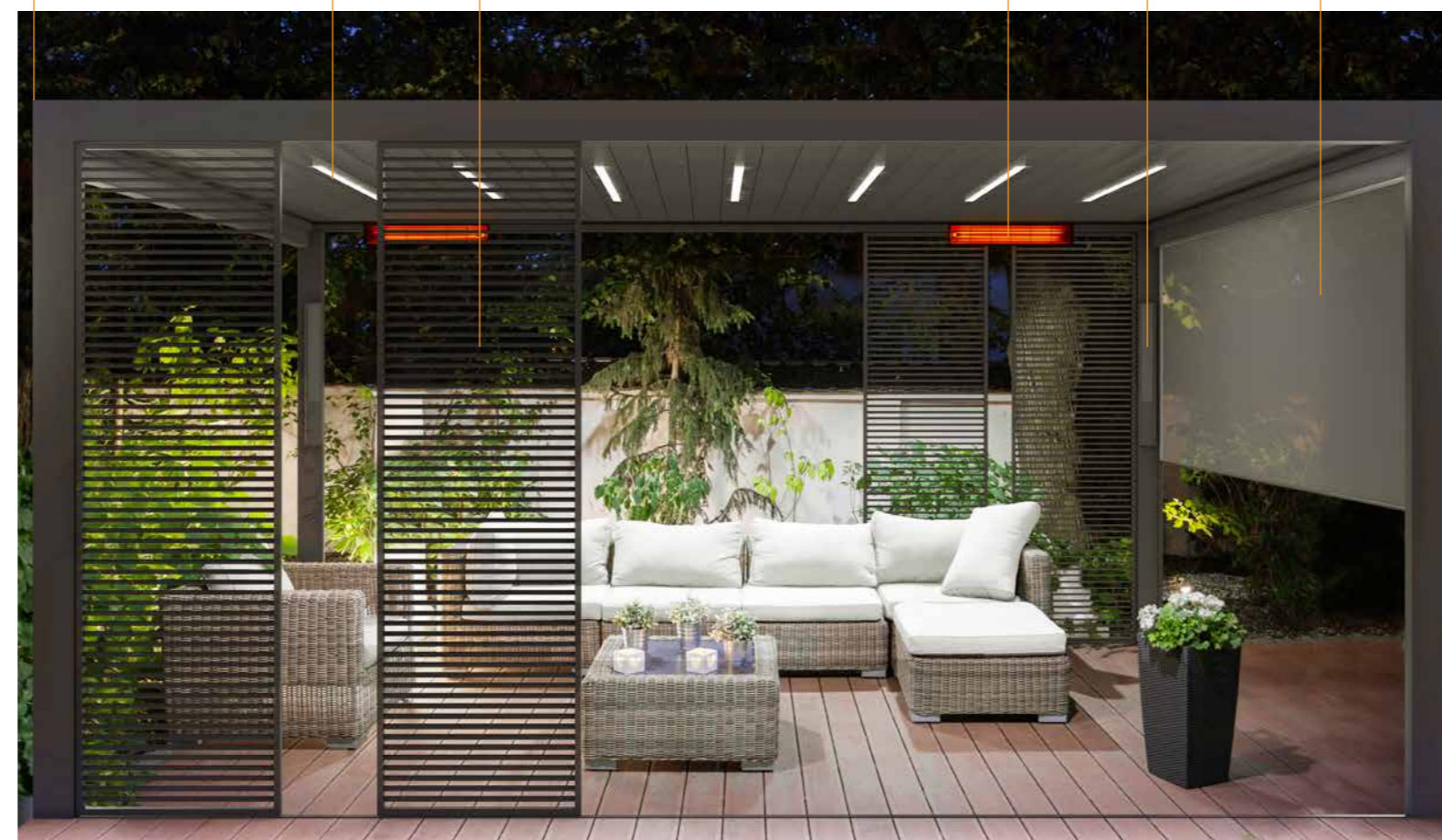


Regulate the **temperature**, control **sunlight**,

protect yourself from **rain\* & snow\***, extend the outdoor season.



- sensor
- LED lights
- sliding panels / glass panels
- heater
- sound system
- ZIP roller blinds



2-year warranty on electronic equipment and components



5-year warranty on the structure of Pergola Agava™

